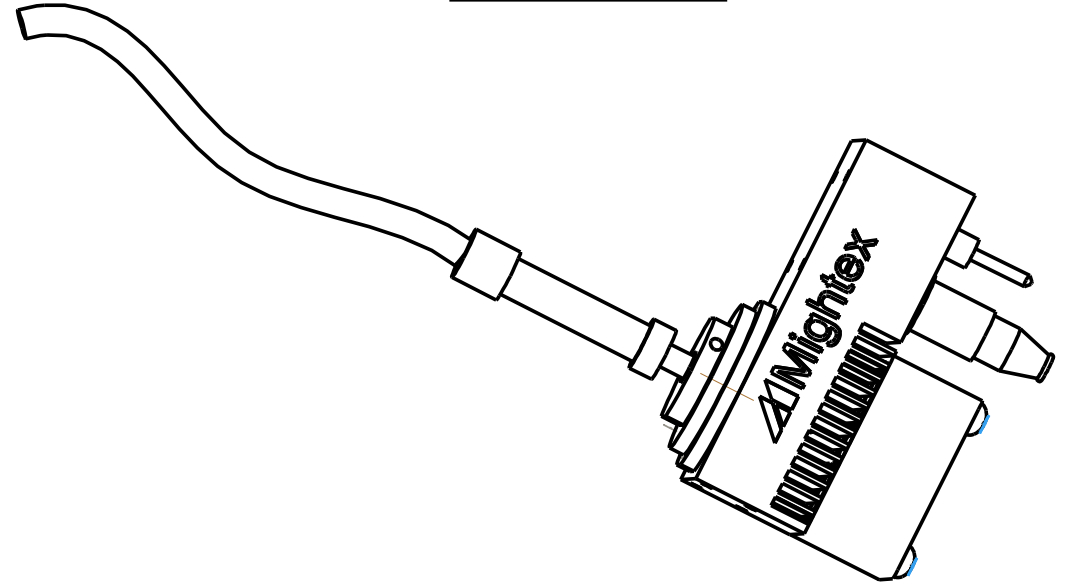
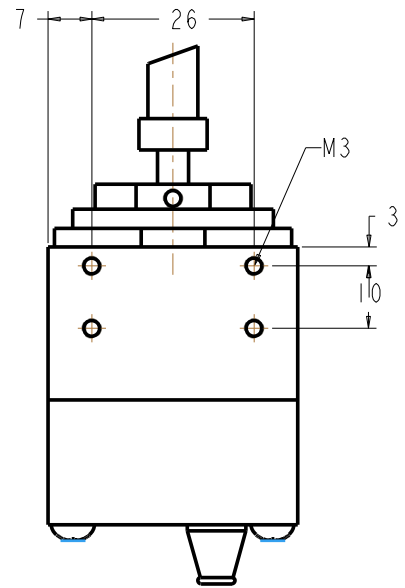
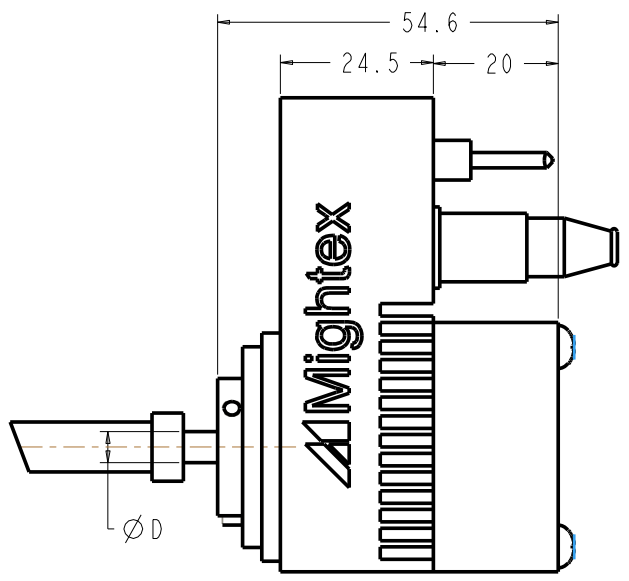
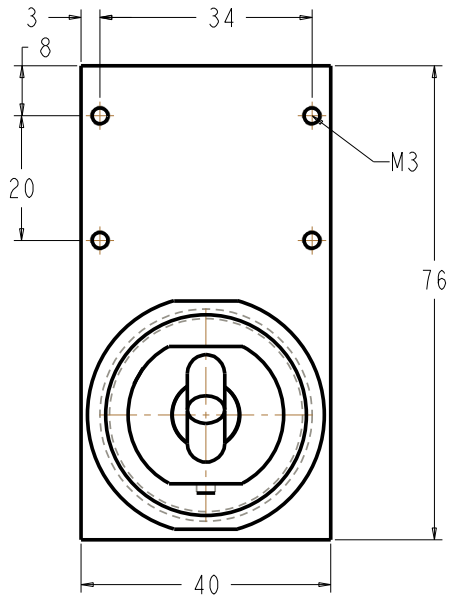


M L K J H G F E D C B A

LTR	CO	DATE	CHK
-----	----	------	-----



Adapter Code	D
A0510	5
A0710	7

MATERIAL:		THE INFORMATION AND DATA CONTAINED HEREIN CONFORMS TO ASME Y14.5M-1994		DATE: 05-Dec-11		Mightex Systems	
ALT. MATL:		ALL UNTOLERANCED DIMENSIONS ARE BASIC		EDGE/COR. BREAK:		SIZE NO. 174000-1	
CASE DEPTH:		UNLESS OTHERWISE SPECIFIED, ALL DIMENSIONS ARE IN MM		RADII INSIDE:		REL. NO. SHEET 1 OF 1	
HARDNESS:		UNLESS OTHERWISE SPECIFIED, SURFACE FINISH IS 6.3		RADII OUTSIDE:		THIRD ANGLE PROJ.	
SURFACE TREATMENT:		PROF/ENGINEER*		UNLESS OTHERWISE SPECIFIED: SURFACE FINISH		D	

M L K J H G F E D C B A